



**BUCKEYE TRACTOR CO**

# Parts List

Model 4531-D  
**BED SHAPER**

Version A14 • Serial No. 5230100 • Effective 1-1-15

Serial No: \_\_\_\_\_ Date Received: \_\_\_ / \_\_\_ / \_\_\_

Purchased From: \_\_\_\_\_

Order / Invoice No: \_\_\_\_\_



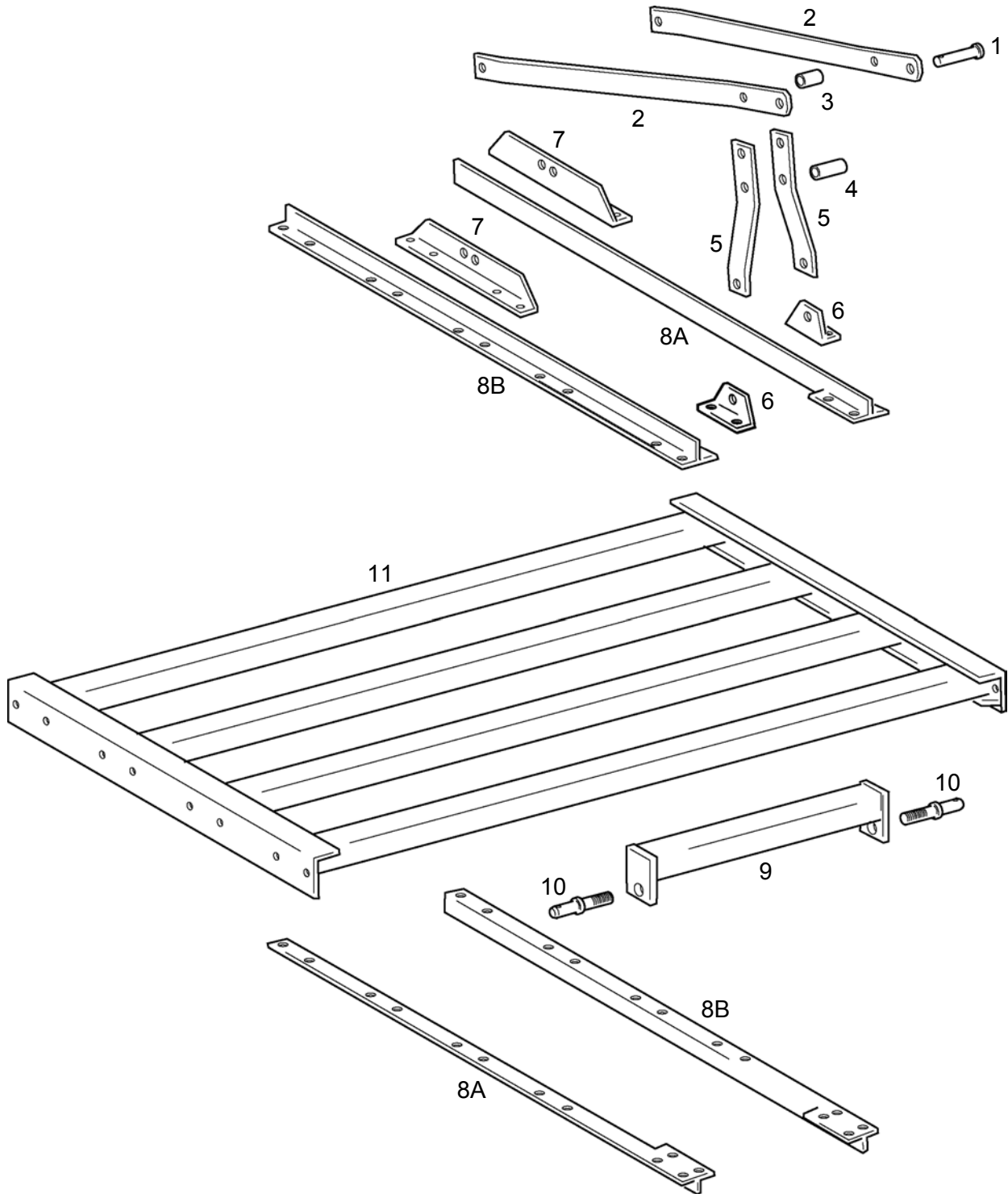
**BUCKEYE TRACTOR CO**

P.O.Box 97 • 11313 Slabtown Road • Columbus Grove, Ohio 45830 USA  
call 419-659-2162 • fax 419-659-2082

buckeyetractor@bright.net • www.buctraco.com

*YOUR PURCHASE INCLUDES COMPLETE AFTER-SALE SERVICE*

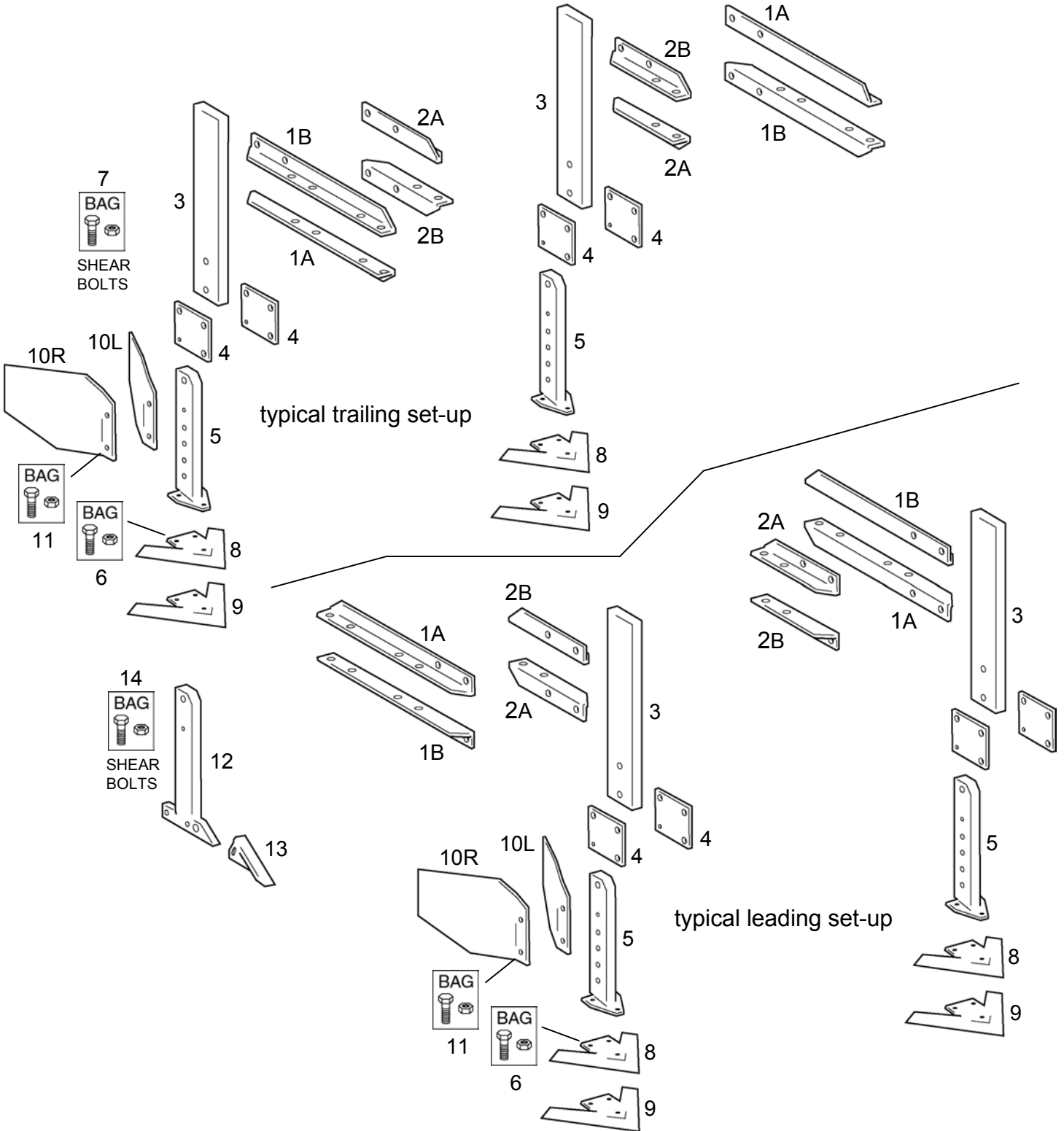
# PARTS LIST



# PARTS LIST

Ref	Quan	Part No	Description	Price
	<b>1</b>	<b>27524</b>	<b>Toolbar Hitch - includes Ref 1 thru 11</b>	_____
1	1	117516	Hitch Pin, 1 x 4-1/2	_____
	2	112816	Linch Pin, 5/16	_____
2	2	119413	Top Hitch Bar	_____
	1	111012	Hex Capscrew, 3/4-10 x 6	_____
	2	111103	Hex Capscrew, 3/4-10 x 1-3/4	_____
	3	111172	Hex Nut, 3/4-10	_____
3	1	117091	Bushing, 1-1/8 OD x 3/4 ID x 2-1/2	_____
4	1	117092	Bushing, 1-1/8 OD x 3/4 ID x 3-3/4	_____
	1	111012	Hex Capscrew, 3/4-10 x 6	_____
	1	111172	Hex Nut, 3/4-10	_____
5	2	119412	A-Frame Support	_____
	2	111103	Hex Capscrew, 3/4-10 x 1-3/4	_____
	2	111172	Hex Nut, 3/4-10	_____
6	2	119411	Anchor Bracket	_____
	2	110700	U-Bolt, 5/8-11 x 2-1/2sq x 4	_____
	4	111142	Hex Nut, 5/8-11	_____
7	2	119414	Rear Anchor Bracket	_____
	4	111121	U-Bolt, 1/2-13 x 2sq x 3	_____
	8	111051	Hex Nut, 1/2-13	_____
8A	1	119458	Hitch Clamp Bar, 4-bar Side A	_____
8B	1	119459	Hitch Clamp Bar, 4-bar Side B	_____
	16	111028	Hex Capscrew, 5/8-11 x 4	_____
	16	111142	Hex Nut, 5/8-11	_____
9	1	119367	Lower Hitch Crossbar	_____
	8	111028	Hex Capscrew, 5/8-11 x 4	_____
	8	111142	Hex Nut, 5/8-11	_____
10	2	111653	Anchor Pin	_____
	2	111362	Linch Pin, 7/16	_____
	2	110966	Hex Nut, 1-1/8-12	_____
			<b>ADD (1) Toolbar Frame to Toolbar Hitch</b>	
11	1		Toolbar Frame, 2-1/2sq x 4-bar x ____ x ____ (choose size below)	
		25034-072	72 x 3/16w	_____
		25034-084	84 x 3/16w	_____
		25034-096	96 x 3/16w	_____

# PARTS LIST



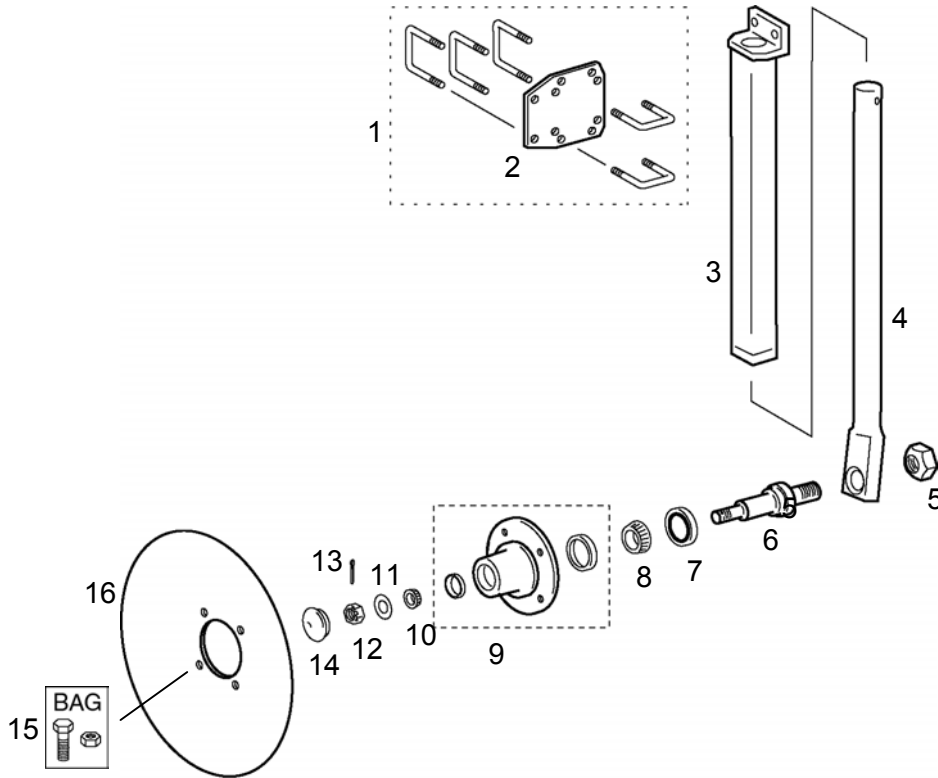
# PARTS LIST

Ref	Quan	Part No	Description	Price
	<b>1</b>	<b>25366</b>	<b>Furrow Shank Set - includes Ref 1 thru 7</b>	
1A	2	119778	Shank Quarter Bracket, 2-Bar Side A	
1B	2	119779	Shank Quarter Bracket, 2-Bar Side B	
	2	111028	Hex Capscrew, 5/8-11 x 4	
	2	111142	Hex Nut, 5/8-11	
2A	2	119776	Shank Quarter Bracket, Side A	
2B	2	119777	Shank Quarter Bracket, Side B	
	4	111028	Hex Capscrew, 5/8-11 x 4	
	4	111142	Hex Nut, 5/8-11	
3	2	119791	Shank Top	
	8	111031	Hex Capscrew, 5/8-11 x 4	
	8	111142	Hex Nut, 5/8-11	
4	4	119796	Shear Bolt Plate	
	4	111031	Hex Capscrew, 5/8-11 x 2-3/4	
	4	111142	Hex Nut, 5/8-11	
5	2	119793	Furrow Shank Bottom	
	2	111030	Hex Capscrew, 5/8-11 x 3	
	2	111236	Hex NyLock Nut, 5/8-11	
	2	110678	Shear Bolt, 7/16-14 x 2-1/2	
	2	111007	Hex Nut, 7/16-14	
6	2	99022FA	Bag of Fasteners - to install Flat-Mount Shovel	
	6	111101	Hex Capscrew, 3/8-16 x 1 - included	
	6	111008	Hex Nut, 3/8-16 - included	
7	1	99023FP	Bag of Shear Bolts	
	6	110678	Shear Bolt, 7/16-14 x 2-1/2 - included	
	6	111007	Hex Nut, 7/16-14 - included	
			<b>ADD as needed to complete Furrow Shank Asby</b>	
	2	117817	Flat-Mount Shovel, 7"	
8	2	117836	Flat-Mount Shovel, 10"	
9	2	118837	Flat-Mount Shovel, 12"	
			<b>OPTION</b>	
	<b>2</b>	<b>19898</b>	<b>Furrow Wing Pkg - includes Ref 10, 11</b>	
10L	2	119696	Furrow Wing, Left	
10R	2	119697	Furrow Wing, Right	
11	2	99022FA	Bag of Fasteners - to install Furrow Wings	
	4	111066	Hex Capscrew, 1/2-12 x 2-1/4 - included	
	4	111051	Hex Nut, 1/2-13 - included	

# PARTS LIST

Ref	Quan	Part No	Description	Price
	<b>2</b>	<b>19970</b>	<b>OPTION</b>	
			<b>Ripper Shank Bottom Asby - includes Ref 12 thru 14</b>	_____
12	2	119797	Ripper Shank Bottom	_____
13	2	117179	Ripper Point, 1-1/2 x 6	_____
14	1	99023FP	Bag of Shear Bolts	_____
	6	110678	Shear Bolt, 7/16-14 x 2-1/2 - included	_____
	6	111007	Hex Nut, 7/16-14 - included	_____

# PARTS LIST



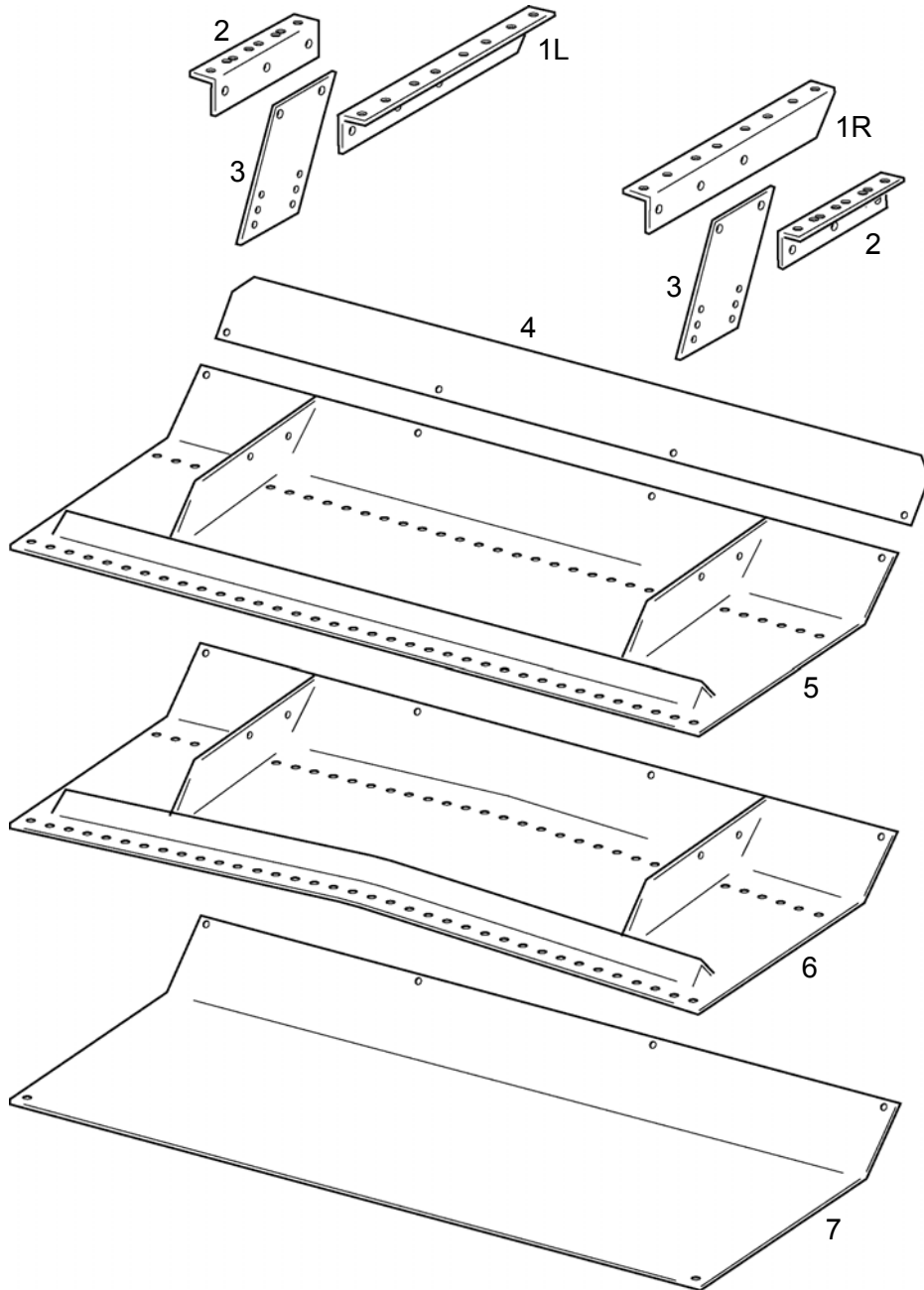
Ref	Quan	Part No	Description	Price
	1	<b>25316</b>	<b>Disk, 16", Shank &amp; Clamp for 2sq - includes Ref 1 thru 14</b>	_____
1	1	25205-44X	D5-Clamp Asby, 2-1/2sq x 2sq	_____
2	1	119339	D5-Plate, 2-1/2 x 2	_____
	3	110739	U-Bolt, 1/2-13 x 2-1/2sq x 3-1/2	_____
	2	111121	U-Bolt, 1/2-13 x 2sq x 3	_____
	10	111051	Hex Nut, 1/2-13	_____
3	1	119421	Outer Disk Shank	_____
4	1	119424	Rotating Inner Shank & Spindle	_____
	1	110875	Roll Pin, 3/8 x 2	_____
	1	110718	U-Bolt, 1/2-13 x 1-1/2rd x 2-3/4	_____
	2	111051	Hex Nut, 1/2-13	_____
5	1	119775	Nut, 1-1/8-12 Special	_____
6	1	119771	Spindle	_____
7	1	115432	Seal	_____
8	1	117772	Bearing Cone, LM67048	_____

# PARTS LIST

Ref	Quan	Part No	Description	Price
9	1	119428	Hub, 4-bolt w/ Bearing Cups	_____
	1	117798	Bearing Cup, LM67010	_____
	1	115399	Bearing Cup, LM11910	_____
10	1	115399	Bearing Cone, LM11949	_____
11	1	111714	Bearing Washer, 3/4-10ga	_____
12	1	114781	Spindle Nut, 3/4-16 Slotted	_____
13	1	111757	Spindle Pin, 5/32 x 1	_____
14	1	117895	Dust Cap	_____
15	1	99017FA	Bag of Fasteners - to install Disk Blade	_____
	4	110697	Carriage Bolt, 1/2-13 x 1-1/2 - included	_____
	4	111184	Flat Washer, 5/8 SAE - included	_____
16	1	118843	Disk Blade, 16" x 5" circle	_____



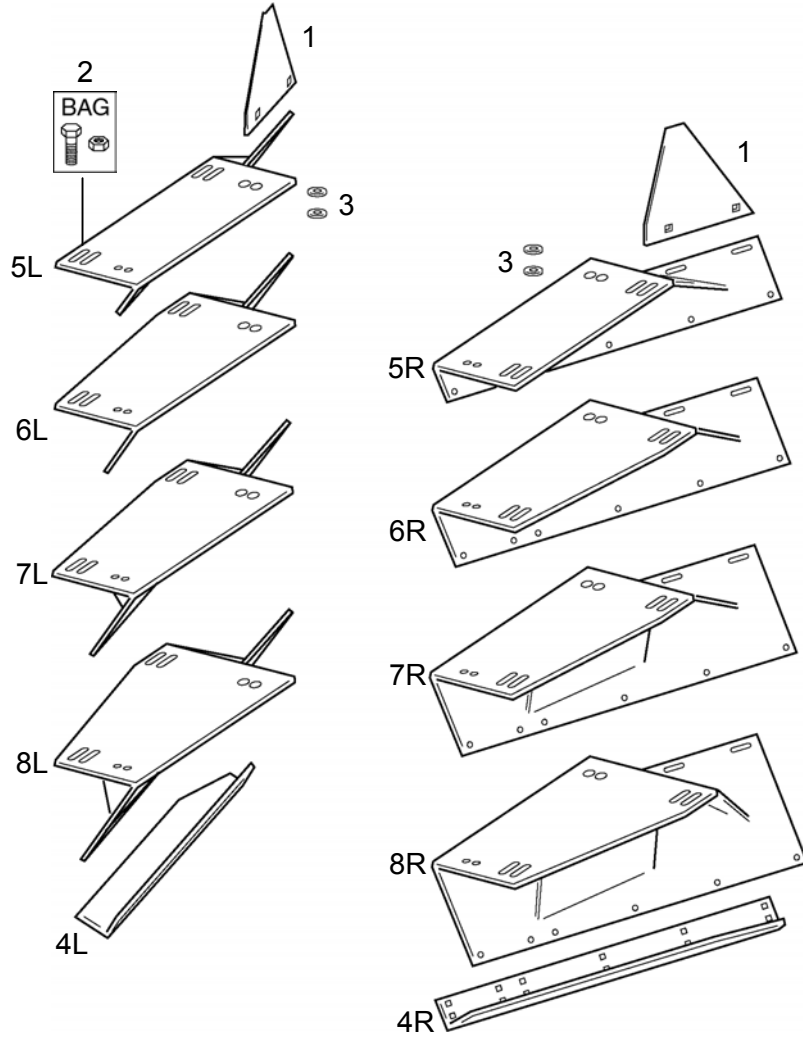
# PARTS LIST



# PARTS LIST

Ref	Quan	Part No	Description	Price
	<b>1</b>	<b>25417</b>	<b>Shaper Pan Asby - includes Ref 1 thru 5</b>	_____
1A	1	119442	Mounting Bracket, Side A	_____
1B	1	119443	Mounting Bracket, Side B	_____
	4	110739	U-Bolt, 1/2-13 x 2-1/2sq x 3-1/2	_____
	8	111051	Hex Nut, 1/2-13	_____
2	2	119441	Mounting Bracket, Reversible	_____
	2	110739	U-Bolt, 1/2-13 x 2sq x 3-1/2	_____
	4	111051	Hex Nut, 1/2-13	_____
3	2	117507	Shaper Pan Leg	_____
	4	111156	Hex Capscrew, 5/8-11 x 1-1/2	_____
	4	111142	Hex Nut, 5/8-11	_____
4	1	211772	Front Shield, 72"	_____
	4	111071	Hex Capscrew, 1/2-13 x 1-1/4	_____
	4	111184	Flat Washer, 1/2 SAE	_____
	4	111051	Hex Nut, 1/2-13	_____
5	1	122472	Shaper Pan, 72"	_____
	4	111070	Hex Capscrew, 1/2-13 x 1-1/4	_____
	4	111051	Hex Nut, 1/2-13	_____
			<b>OPTION</b>	
	<b>1</b>	<b>17316A</b>	<b>Crowned Shaper Pan Pkg - includes Ref 6, replaces Ref 5</b>	_____
6	1	126672	Crowned Shaper Pan, 72"	_____
			<b>OPTION</b>	
			<b>Shaper Pan Poly Liner</b>	
7	1	122772	Shaper Pan Poly Liner, 72"	_____
7	1	124872	Crowned Shaper Pan Poly Liner, 72"	_____

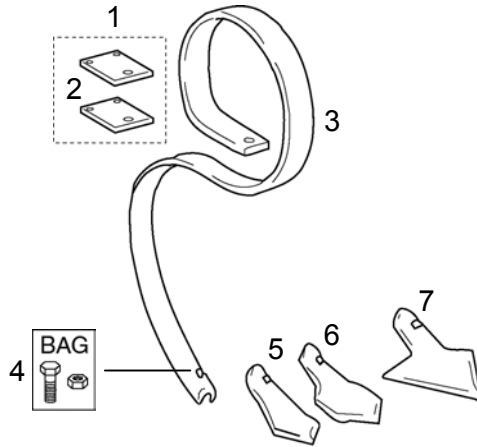
# PARTS LIST



# PARTS LIST

Ref	Quan	Part No	Description	Price
	<b>1</b>	<b>19321</b>	<b>Bed Height Completing Pkg - includes Ref 1 thru 4</b>	_____
1	2	118617	Adjustable Side Shield	_____
	4	110750	Carriage Bolt, 3/8-16 x 1	_____
	4	111194	Flat Washer, 3/8 USS	_____
	4	111008	Hex Nut, 3/8-16	_____
2	1	99026FA	Bag of Fasteners - to install Bed Height Pkg	_____
	2	111069	Hex Capscrew, 1/2-13 x 1-1/2 - included	_____
	6	111070	Hex Capscrew, 1/2-13 x 1-1/4 - included	_____
	4	111184	Flat Washer, 1/2 SAE - included	_____
	8	111051	Hex Nut, 1/2-13 - included	_____
3	4	112057	Heavy Washer, 1/2 x 1-1/2 OD - included	_____
4L	1	118608	Furrow Shoe, Left	_____
4R	1	118609	Furrow Shoe, Right	_____
	12	110750	Carriage Bolt, 3/8-16 x 1	_____
	12	111008	Hex Nut, 3/8-16	_____
<b>ADD (1) Bed Height Package to complete Shaper Pan</b>				
	<b>1</b>	<b>19303</b>	<b>Bed Height Pkg, 3" base for 3" or 4" adjustable bed height - includes Ref 5L, 5R</b>	_____
5L	1	118653	Furrow Shaper, 3" Base Left	_____
5R	1	118663	Furrow Shaper, 3" Base Right	_____
	<b>1</b>	<b>19305</b>	<b>Bed Height Pkg, 5" Base for 5" or 6" adjustable bed height - includes Ref 6L, 6R</b>	_____
6L	1	118655	Furrow Shaper, 5" Base Left	_____
6R	1	118665	Furrow Shaper, 5" Base Right	_____
	<b>1</b>	<b>19307</b>	<b>Bed Height Pkg, 7" base for 7" or 8" adjustable bed height - includes Ref 7L, 7R</b>	_____
7L	1	118657	Furrow Shaper, 7" Base Left	_____
7R	1	118667	Furrow Shaper, 7" Base Right	_____
	<b>1</b>	<b>19309</b>	<b>Bed Height Pkg, 9" base for 9" or 10" adjustable bed height - includes Ref 8L, 8R</b>	_____
8L	1	118659	Furrow Shaper, 9" Base Left	_____
8R	1	118669	Furrow Shaper, 9" Base Right	_____

# PARTS LIST



Ref	Quan	Part No	Description	Price
	<b>5-9</b>	<b>25178</b>	<b>OPTION</b> <b>S-Tine, Wide 7/16 x 1-3/4, &amp; Clamp for 2-1/2sq</b> on 4531-D quantity depends on application - parts for each listed below	
	<b>1</b>	<b>25178</b>	<b>S-Tine, Wide 7/16 x 1-3/4, &amp; Clamp for 2-1/2sq</b> <b>- includes Ref 1 thru 3</b>	_____
1	1	25170	Tine Clamp Asby for 2-1/2sq	_____
2	2	119218	Tine Clamp Plate	_____
	1	110704	Hex Capscrew, 1/2-13 x 4-1/4	_____
	1	111051	Hex Nut, 1/2-13	_____
	2	110723	Hex Capscrew, 3/8-16 x 4-1/4	_____
	2	111239	Hex Nut, 3/8-16 NyLock	_____
3	1	117905	S-Tine, Wide 7/16 x 1-3/4	_____
4	1	99015FA	Bag of Fasteners - to install Shovel	_____
	1	110834	Plow Bolt, 7/16-14 x 1-3/4 - included	_____
	1	111193	Flat Washer, 7/16 USS - included	_____
	1	111007	Hex Nut, 7/16-14 - included	_____
			<b>ADD (as needed) Shovel(s) to complete each S-Tine Asby</b>	
5	1	119556	Shovel, 2-1/4 HD	_____
6	1	119557	Shovel, 4 HD	_____
7	1	119558	Shovel, 7 HD	_____