



BUCKEYE TRACTOR CO

Parts List

**Model 2331-T
BED SHAPER**

Version A14 • Serial No. 5170100 • Effective 9-1-13

Serial No: _____ Date Received: ___ / ___ / ___

Purchased From: _____

Order / Invoice No: _____



BUCKEYE TRACTOR CO

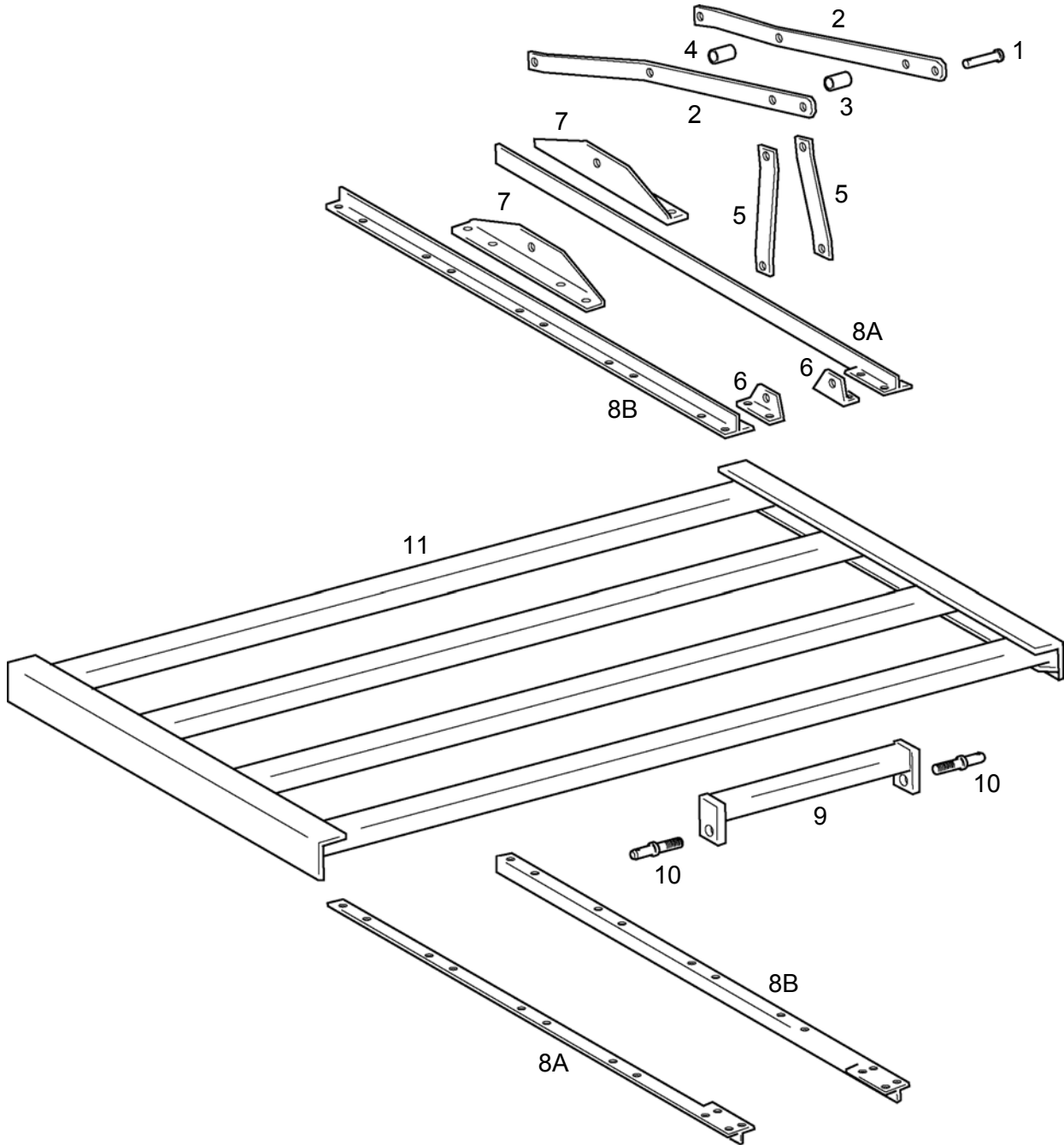
P.O.Box 97 • 11313 Slabtown Road • Columbus Grove, Ohio 45830 USA

Call 419-659-2162 • Fax 419-659-2082

800-526-6791 • www.BucTraCo.com

YOUR PURCHASE INCLUDES COMPLETE AFTER-SALE SERVICE

PARTS LIST

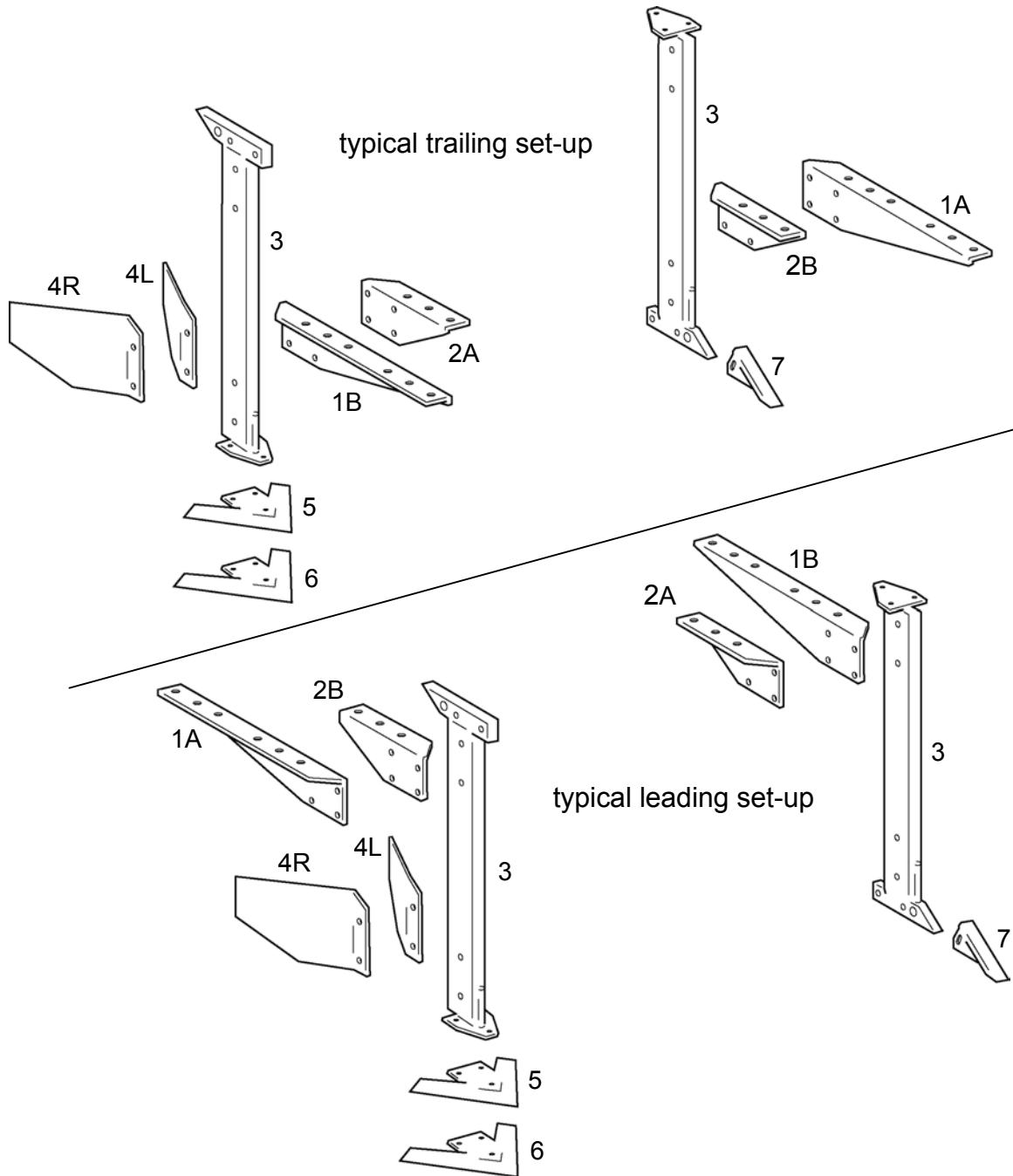


PARTS LIST

Ref	Quan	Part No	Description	Price
	1	21514	Toolbar Hitch - includes Ref 1 thru 10	_____
1	1	117512	Hitch Pin, 3/4 x 3-1/4	_____
	1	111354	Linch Pin, 1/4	_____
2	2	118812	Top Hitch Bar	_____
	2	111143	Hex Capscrew, 5/8-11 x 1-3/4	_____
	1	111027	Hex Capscrew, 5/8-11 x 4-1/2	_____
	3	111142	Hex Nut, 5/8-11	_____
3	1	112425	Bushing, 1od x 5/8id x 2	_____
4	1	112425	Bushing, 1od x 5/8id x 2	_____
	1	111029	Hex Capscrew, 5/8-11 x 3-1/2	_____
	1	111214	Hex Nut, 5/8-11 Jam	_____
5	2	118811	A-Frame Support	_____
	2	110996	Hex Capscrew, 5/8-11 x 1-1/4	_____
	2	111142	Hex Nut, 5/8-11	_____
6	6	111595	Anchor Bracket	_____
	2	111121	U-Bolt, 1/2-13 x 2sq x 3	_____
	4	111051	Hex Nut, 1/2-13	_____
7	2	118803	Rear Anchor Bracket	_____
	4	111121	U-Bolt, 1/2-13 x 2sq x 3	_____
	8	111051	Hex Nut, 1/2-13	_____
8A	2	119126	Hitch Clamp Bar, 4-bar, Side A	_____
8B	2	119127	Hitch Clamp Bar, 4-bar, Side B	_____
	16	110786	Hex Capscrew, 1/2-13 x 3-1/4	_____
	16	111051	Hex Nut, 1/2-13	_____
9	1	115847	Lower Hitch Crossbar	_____
	8	110786	Hex Capscrew, 1/2-13 x 3-1/4	_____
	8	111051	Hex Nut, 1/2-13	_____
10	2	111652	Anchor Pin	_____
	2	111243	Hex Nut, 7/8-14	_____
	2	111362	Linch Pin, 7/16	_____
			ADD (1) Toolbar Frame to Toolbar Hitch	
11	1		Toolbar Frame, 2sq x 3-bar x ____ x ____ (choose size below)	
		20034-060	60 x 3/16w	_____
		20034-064	64 x 3/16w	_____
		20034-072	72 x 3/16w	_____
		20034-084	84 x 3/16w	_____
		20034-096	96 x 3/16w	_____

for 2212-DvE15, 2460v?

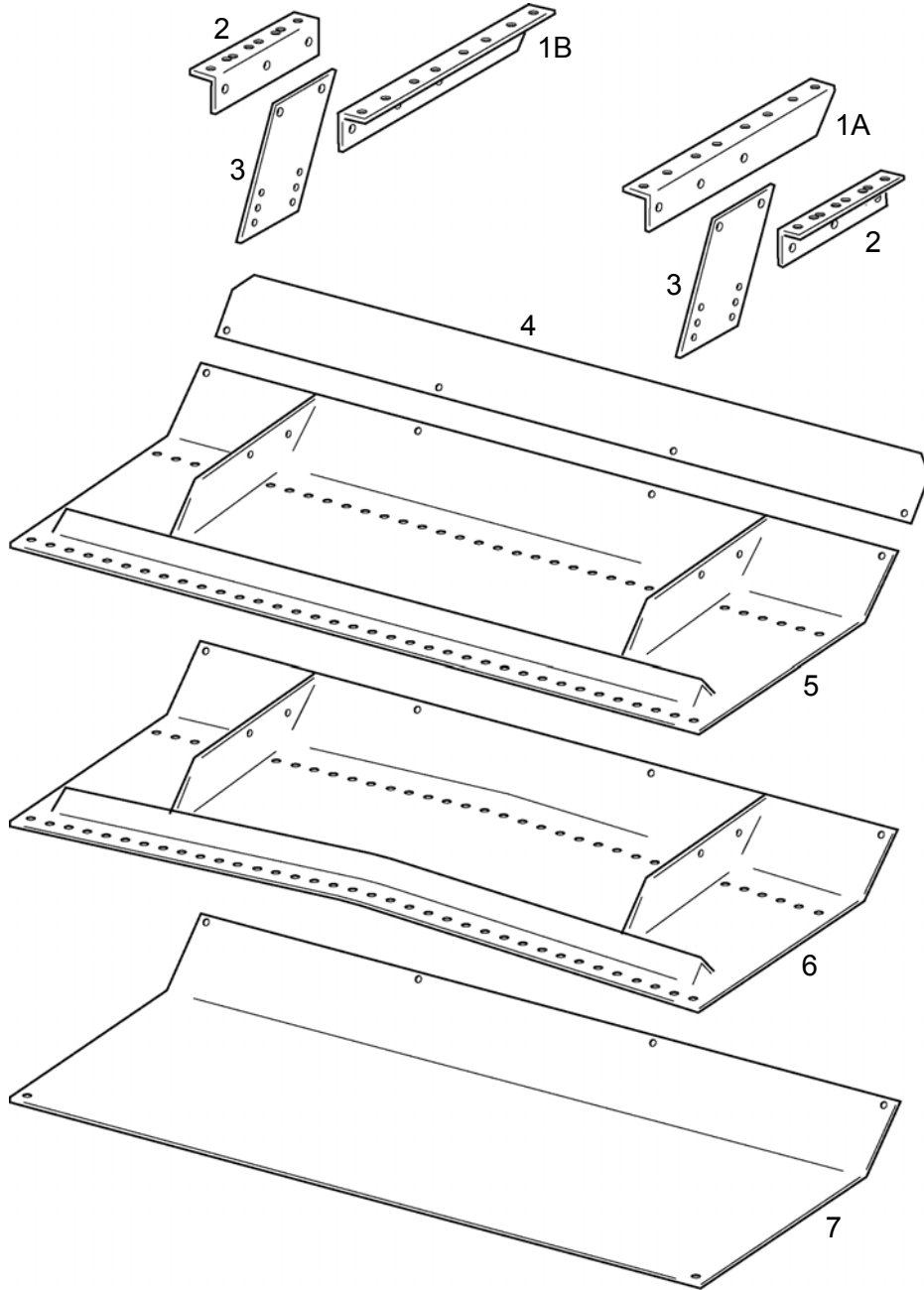
PARTS LIST



PARTS LIST

Ref	Quan	Part No	Description	Price
	1	20327	Furrow Shank Set - includes Ref 1 thru 3	_____
1A	1	117615	Shank Half Bracket, 2-Bar Side A	_____
1B	1	117616	Shank Half Bracket, 2-Bar Side B	_____
	4	111121	U-bolt, 1/2-13 x 2sq x 3	_____
	8	111051	Hex Nut, 1/2-13	_____
2A	1	117613	Shank Half Bracket, Side A	_____
2B	1	117614	Shank Half Bracket, Side B	_____
	2	111121	U-bolt, 1/2-13 x 2sq x 3	_____
	4	111051	Hex Nut, 1/2-13	_____
3	2	119000	Rev Furrow/Ripper Shank, 1-1/4 x 3	_____
	4	116518	Shear Bolt, 1/2-13 x 2-1/2	_____
	4	111065	Hex Capscrew, 1/2-13 x 2-1/2	_____
	8	111051	Hex Nut, 1/2-13	_____
		99022FA	Bag of Fasteners - to install Flat-Mount Shovel	_____
	6	111101	Hex Capscrew, 3/8-16 x 1	_____
	6	111008	Hex Nut, 3/8-16	_____
	2	17676	OPTION Furrow Wing Pkg	
4L	2	117556	Furrow Wing, Left	_____
4R	2	117557	Furrow Wing, Right	_____
	4	111066	Hex Capscrew, 1/2-12 x 2-1/4	_____
	4	111051	Hex Nut, 1/2-13	_____
			ADD as needed to complete Furrow/RipperShank Asby	
	2	117817	Flat-Mount Shovel, 7"	_____
5	2	117836	Flat-Mount Shovel, 10"	_____
6	2	118837	Flat-Mount Shovel, 12"	_____
7	2	117179	Ripper Point, 1-1/2 x 6	_____
			Assemblies	
	1	99002FA	Bag of Shear Bolts - includes (6) of 516-518 & (6) 511-051	_____

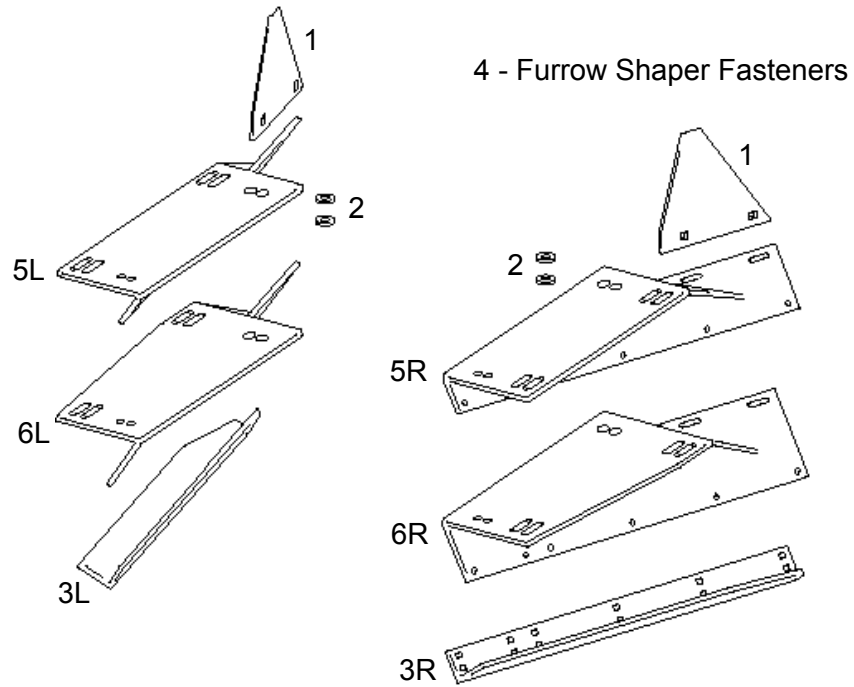
PARTS LIST



PARTS LIST

Ref	Quan	Part No	Description	Price
	1	20417	Shaper Pan Asby - includes Ref 1 thru 5	_____
1A	1	117504	Mounting Bracket, Side A	_____
1A	1	117505	Mounting Bracket, Side B	_____
	4	111121	U-Bolt, 1/2-13 x 2sq x 3	_____
	8	111051	Hex Nut, 1/2-13	_____
2	2	117513	Mounting Bracket, Reversible	_____
	2	111121	U-Bolt, 1/2-13 x 2sq x 3	_____
	4	111051	Hex Nut, 1/2-13	_____
3	2	117507	Shaper Pan Leg	_____
	4	111156	Hex Capscrew, 5/8-11 x 1-1/2	_____
	4	111142	Hex Nut, 5/8-11	_____
4	1	121772	Front Shield, 72"	_____
	4	111071	Hex Capscrew, 1/2-13 x 1-1/4	_____
	4	111184	Flat Washer, 1/2 SAE	_____
	4	111051	Hex Nut, 1/2-13	_____
5	1	122472	Shaper Pan, 72"	_____
	4	111070	Hex Capscrew, 1/2-13 x 1-1/4	_____
	4	111051	Hex Nut, 1/2-13	_____
			OPTION	
	1	17316	Crowned Shaper Pan Pkg - includes Ref 6, replaces Ref 5	_____
6	1	126672	Crowned Shaper Pan, 72"	_____
			OPTION	
			Shaper Pan Poly Liner	
7	1	122772	Shaper Pan Poly Liner, 72"	_____
7	1	122872	Crowned Shaper Pan Poly Liner, 72"	_____

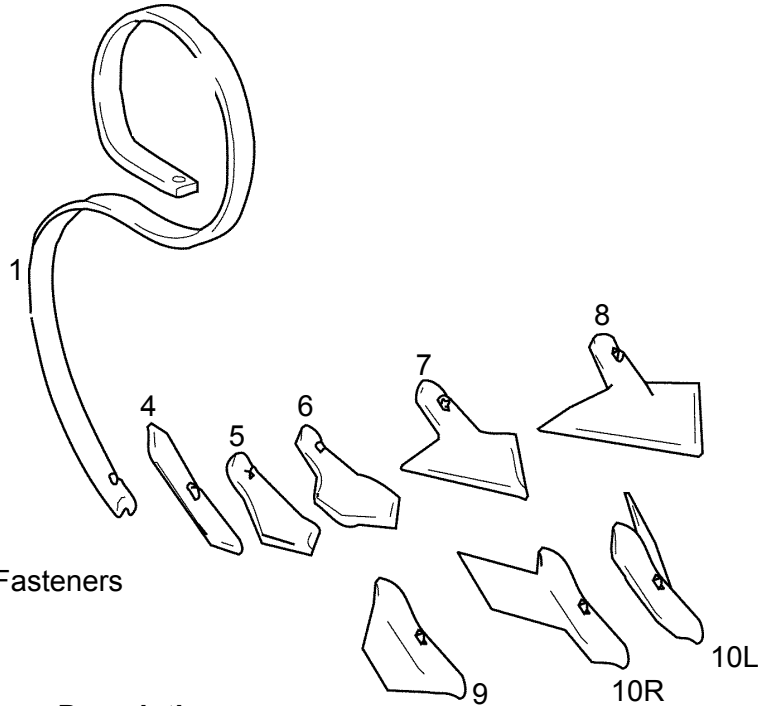
PARTS LIST



PARTS LIST

Ref	Quan	Part No	Description	Price
	1	19321	Bed Height Completing Pkg - includes Ref 1 thru 4	_____
1	2	118617	Adjustable Side Shield	_____
	4	110750	Carriage Bolt, 3/8-16 x 1	_____
	4	111194	Flat Washer, 3/8 USS	_____
	4	111008	Hex Nut, 3/8-16	_____
2	4	112057	Heavy Washer, 1/2 x 1-1/2od	_____
3L	1	118608	Furrow Shoe, Left	_____
3R	1	118609	Furrow Shoe, Right	_____
	12	110750	Carriage Bolt, 3/8-16 x 1	_____
	12	111008	Hex Nut, 3/8-16	_____
4	1	99026FA	Bag of Fasteners - to install Furrow Shapers	_____
	2	111069	Hex Capscrew, 1/2-13 x 1-1/2	_____
	6	111070	Hex Capscrew, 1/2-13 x 1-1/4	_____
	4	111184	Flat Washer, 1/2 SAE	_____
	8	111051	Hex Nut, 1/2-13	_____
ADD (1) Bed Height Package to complete Shaper Pan Asby				
	1	19303	Bed Height Pkg, 3" base for 3" or 4" adjustable bed height - includes Ref 5L, 5R	_____
5L	1	118653	Furrow Shaper, 3" Base Left	_____
5R	1	118663	Furrow Shaper, 3" Base Right	_____
	1	19305	Bed Height Pkg, 5" Base for 5" or 6" adjustable bed height - includes Ref 6L, 6R	_____
6L	1	118655	Furrow Shaper, 5" Base Left	_____
6R	1	118665	Furrow Shaper, 5" Base Right	_____

PARTS LIST



Ref	Quan	Part No	Description
SPECIALTY ATTACHMENT			
*		20136	High-Clearance S-Tine Asby, includes ref nos 1 thru 3
			quantity needed depends on application; typically 7 or 9, quantity for each shown
1	1	112843	S-Tine, High-Clearance
2	1	117605	Tine Clamp Plate
	1	110751	Hex Capscrew, 1/2-13 x 3-3/4
	1	111051	Hex Nut, 1/2-13
	2	110719	Hex Capscrew, 3/8-16 x 3-3/4
	2	111008	Hex Nut, 3/8-16
3	1	99013FA	Bag of Fasteners - to install Shovel
	1	110798	Plow Bolt, 3/8-16 x 1-1/2
	1	111194	Flat Washer, 3/8 USS
	1	111008	Hex Nut, 3/8-16
ADD Point or Shovel			
4		111555	Reversible Point, HD
5		111556	Shovel, 2-1/4 HD
6		111557	Shovel, 4 HD
7		111558	Shovel, 7 HD
8		111559	Shovel, 9 HD
9		114094	ShaperShovel
10L		116398	ShaperShovel, Left
10R		116410	ShaperShovel, Right