



BUCKEYE TRACTOR CO

Parts List

**Model 2121-D
BED SHAPER**

Version 3 • Serial No. 4401394 • Effective 4-13-07

Serial No: _____ Date Received: ___ / ___ / ___

Purchased From: _____

Order / Invoice No: _____



BUCKEYE TRACTOR CO

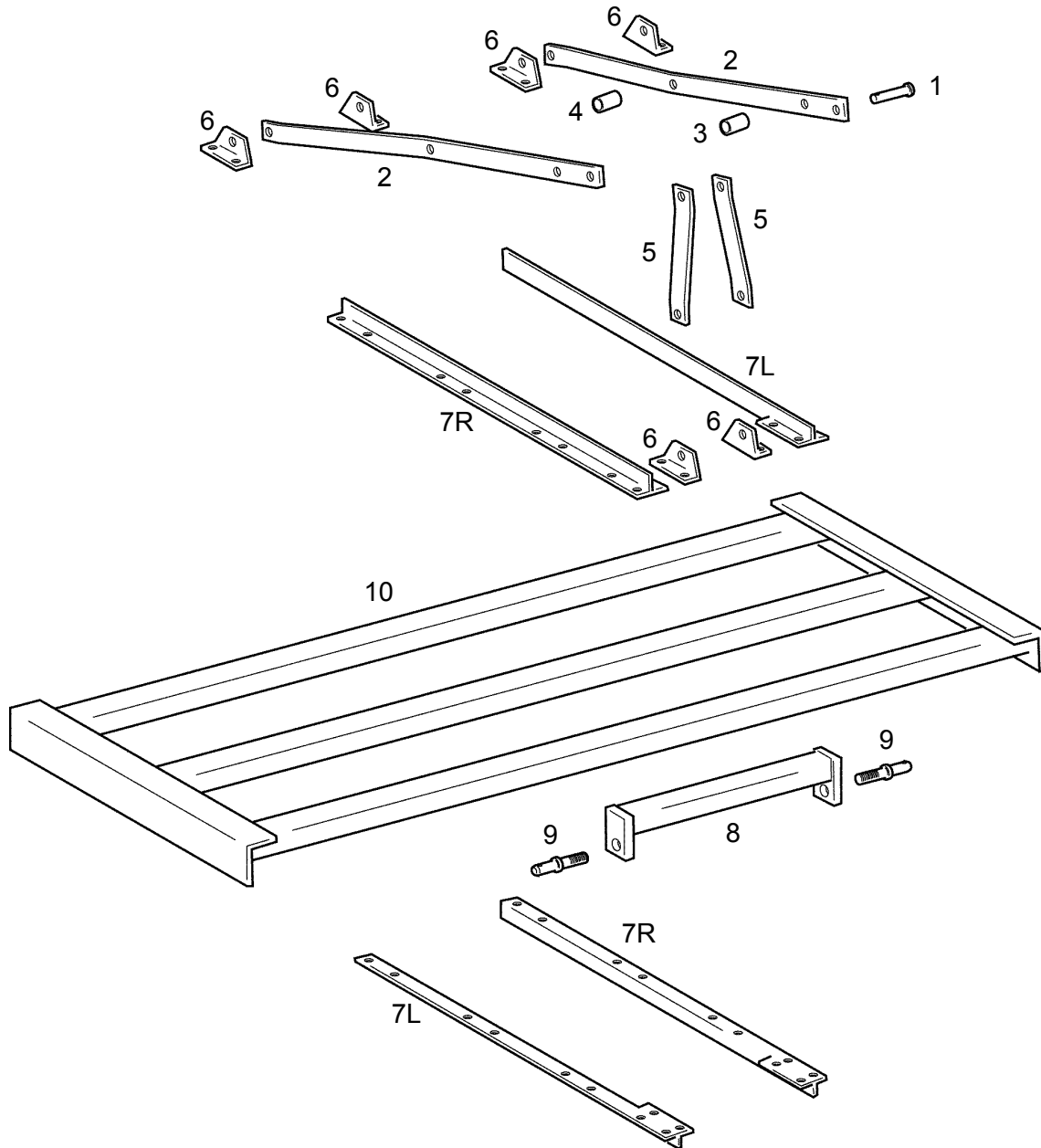
P.O.Box 97 • 11313 Slabtown Road • Columbus Grove, Ohio 45830 USA

Call 419-659-2162 • Fax 419-659-2082

800-526-6791 • www.BucTraCo.com

YOUR PURCHASE INCLUDES COMPLETE AFTER-SALE SERVICE

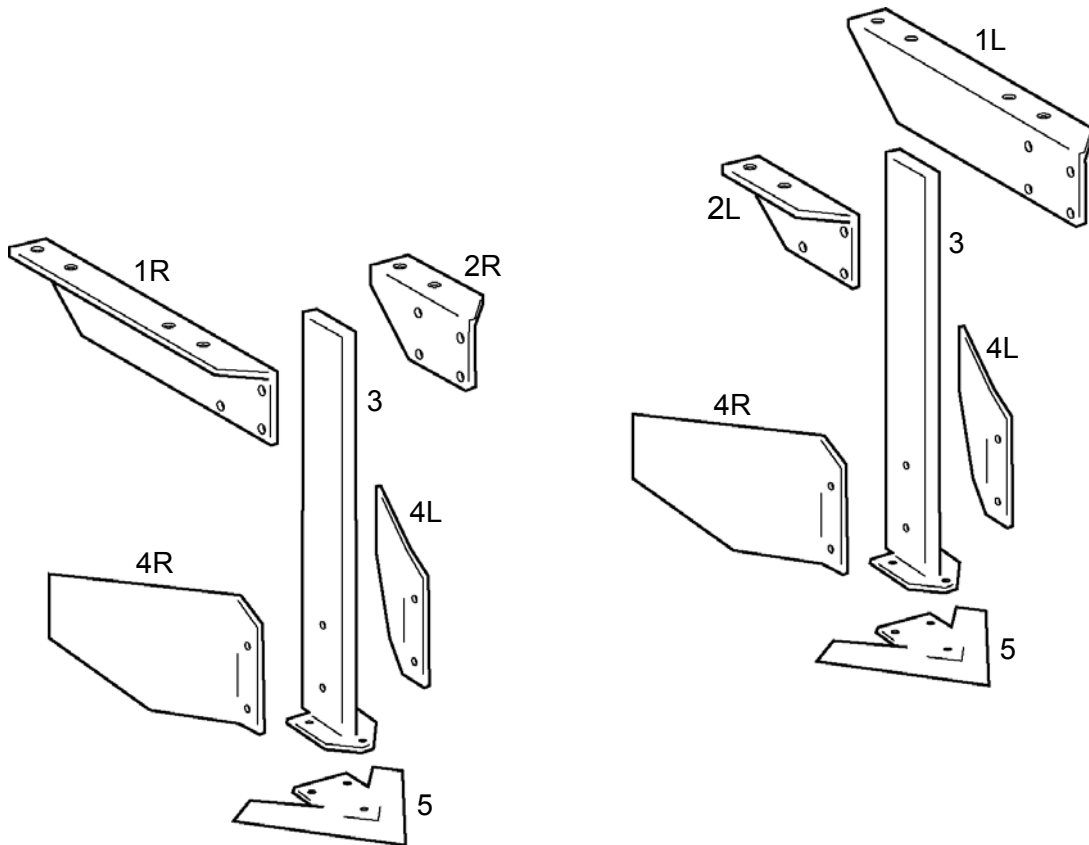
PARTS LIST



PARTS LIST

Ref	Quan	Part No	Description
	1	21513	Toolbar Hitch - includes ref nos 1 thru 9
1	1	17512	Hitch Pin, 3/4
	1	11354	Linch Pin, 1/4
2	2	16477	Top Hitch Bar
	2	11143	Hex Capscrew, 5/8-11 x 1-3/4
	1	11027	Hex Capscrew, 5/8-11 x 4-1/2
	3	11142	Hex Nut, 5/8-11
3	1	12425	Bushing, 1od x 5/8id x 2
4	1	12425	Bushing, 1od x 5/8id x 2
	1	11029	Hex Capscrew, 5/8-11 x 3-1/2
	1	11214	Hex Nut, 5/8-11 Jam
5	2	16476	A-Frame Leg
	2	10996	Hex Capscrew, 5/8-11 x 1-1/4
	2	11142	Hex Nut, 5/8-11
6	6	11595	Hitch Anchor Bracket
	6	11121	U-Bolt, 1/2-13 x 2sq x 3
	12	11051	Hex Nut, 1/2-13
7L	2	15427	Hitch Clamp Bar
7R	2	15425	Hitch Clamp Bar
	12	11052	Hex Capscrew, 1/2-13 x 3
	12	11051	Hex Nut, 1/2-13
8	1	15847	Lower Hitch Crossbar
	8	11052	Hex Capscrew, 1/2-13 x 3
	8	11051	Hex Nut, 1/2-13
9	2	11652	Anchor Pin
	2	11243	Hex Nut, 7/8-14
	2	11362	Linch Pin, 7/16
			ADD
			Toolbar Frame to Toolbar Hitch
10		15417	Toolbar Frame, 2sq x 3-bar x 84" x 3/16wall

PARTS LIST



Ref	Quan	Part No	Description
		17465	Furrow Shank Set - includes ref nos 1 thru 4
1L	1	17616	Shank Half Bracket, Long
1R	1	17615	Shank Half Bracket, Long
	4	11121	U-bolt, 1/2-13 x 2sq x 3
	8	11051	Hex Nut, 1/2-13
2L	1	17613	Shank Half Bracket, Short
2R	1	17614	Shank Half Bracket, Short
	2	11121	U-bolt, 1/2-13 x 2sq x 3
	4	11051	Hex Nut, 1/2-13
3	2	17526	Shank
	4	16518	Shear Bolt, 1/2-13 x 2-1/2
	4	11065	Hex Capscrew, 1/2-13 x 2-1/2
	12	11051	Hex Nut, 1/2-13

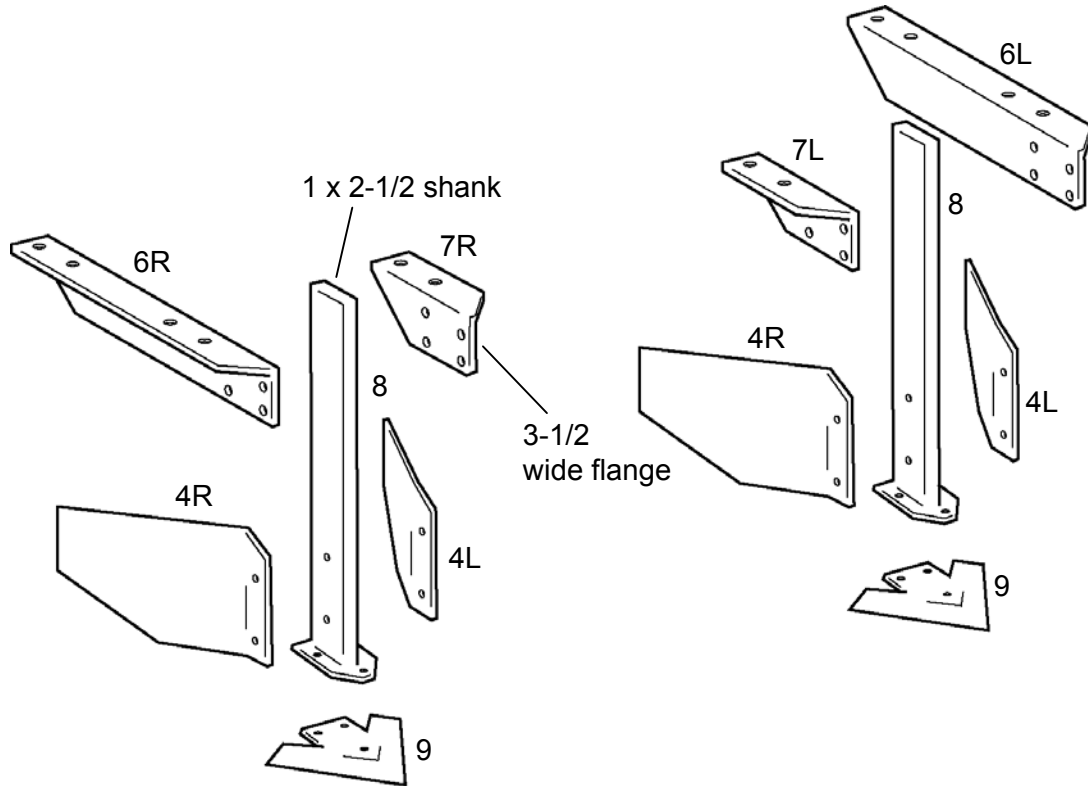
PARTS LIST

Ref	Quan	Part No	Description
4L	2	17556	Furrowing Wing, Left
4R	2	17557	Furrowing Wing, Right
	4	11067	Hex Capscrew, 1/2-12 x 2
	4	11051	Hex Nut, 1/2-13

ADD

Flat-Mount Shovel to complete Furrow Shank Set

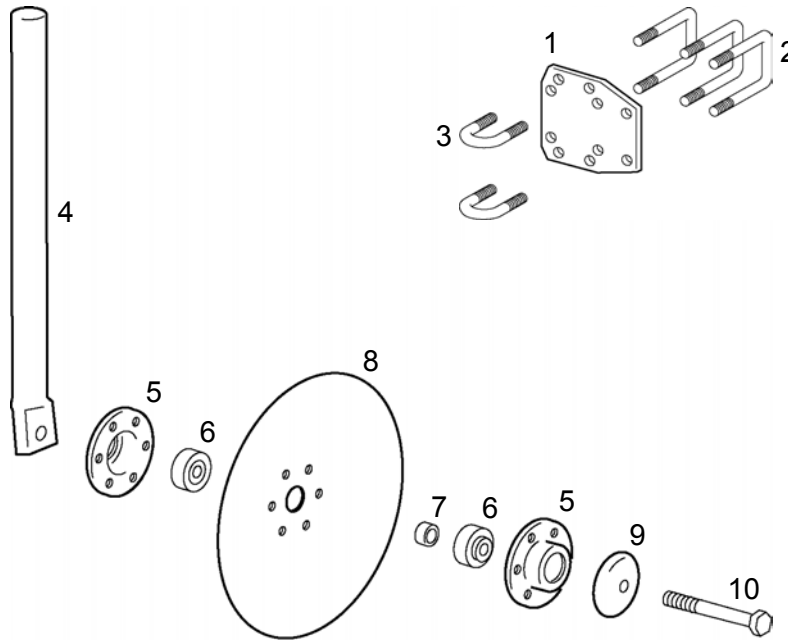
5	2	17836	Flat-Mount Shovel, 10"
	6	11101	Hex Capscrew, 3/8-16 x 1
	6	11008	Hex Nut, 3/8-16



Early Parts

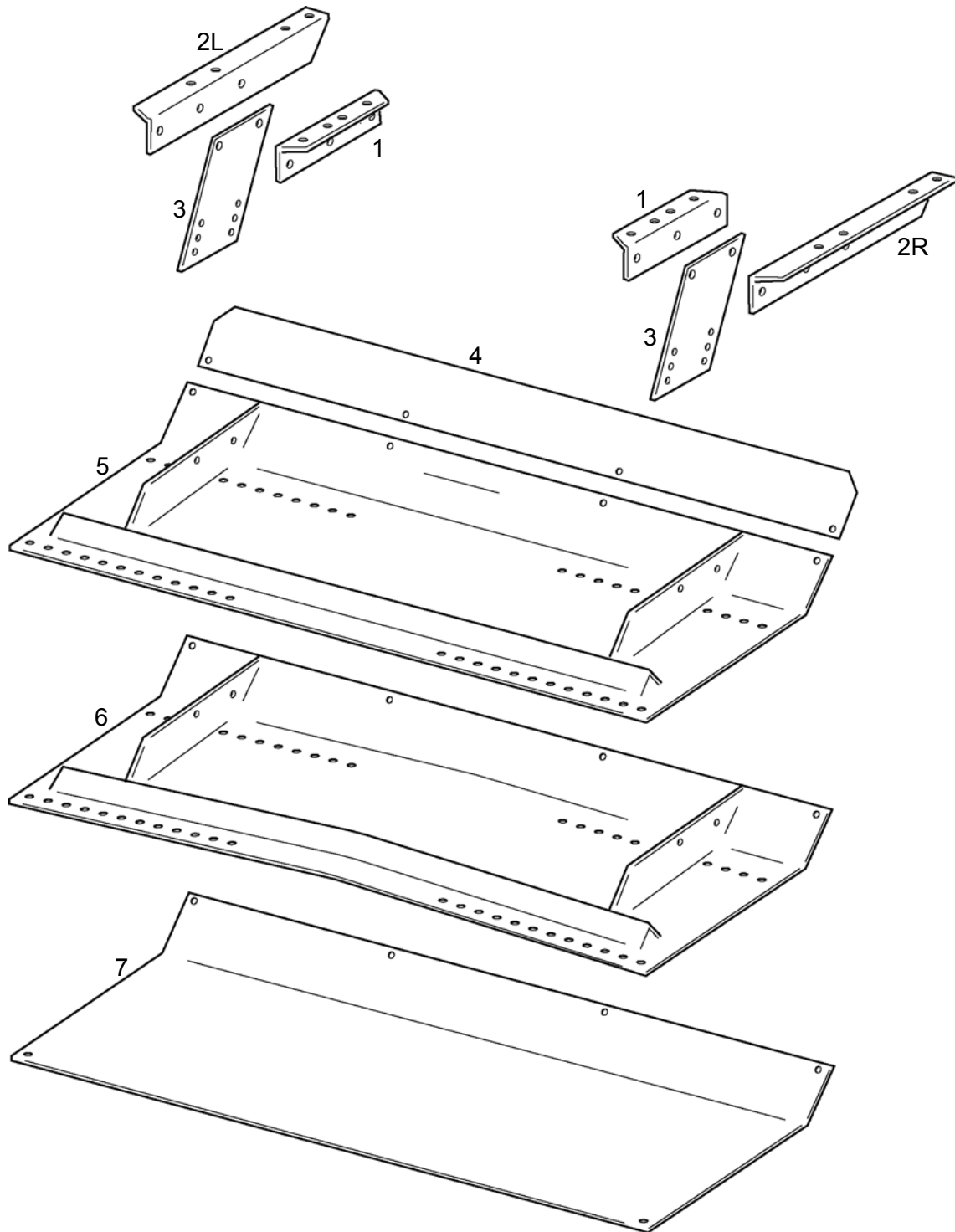
6L	1	16479	Shank Bracket, Long
6R	1	16480	Shank Bracket, Long
7L	1	16481	Shank Bracket, Short
7R	1	16482	Shank Bracket, Short
8	2	16454	Shank
9	2	16520	Flat-Mount Shovel, 9"

PARTS LIST



Ref	Quan	Part No	Description
	2	18650	Clamp Asby, 2sq x 1-1/2rd - includes ref nos 1 thru 3
1	2	18438	5D-Plate, 2 x 1-1/2 x 1/2
2	6	11121	U-Bolt, 1/2-13 x 2sq x 3
3	4	17438	U-Bolt, 1/2-13 x 1-1/2rd x 2-3/4
	20	11051	Hex Nut, 1/2-13
	2	17795	Disk, 16" & Shank Asby - includes ref nos 4 thru 10
4	2	17837	Shank
5	4	17912	Hub Flange
	12	11117	Hex Capscrew, 5/16-18 x 3/4
	12	11240	Hex NyLock Nut, 5/16-18
6	4	17919	Bearing, Ball
7	2	17907	Spacer, 1-1/8 x 3/4 x 0.475
8	2	17910	Disk Blade, 16"
9	2	17915	Dust Cover
10	2	10975	[Bearing Bolt] Hex Capscrew, 3/4-10 x 3-3/4
	2	11172	Hex Nut, 3/4-10
			Assembly
	1	18295	Disk & Hub Asby - includes ref nos 42 thru 45

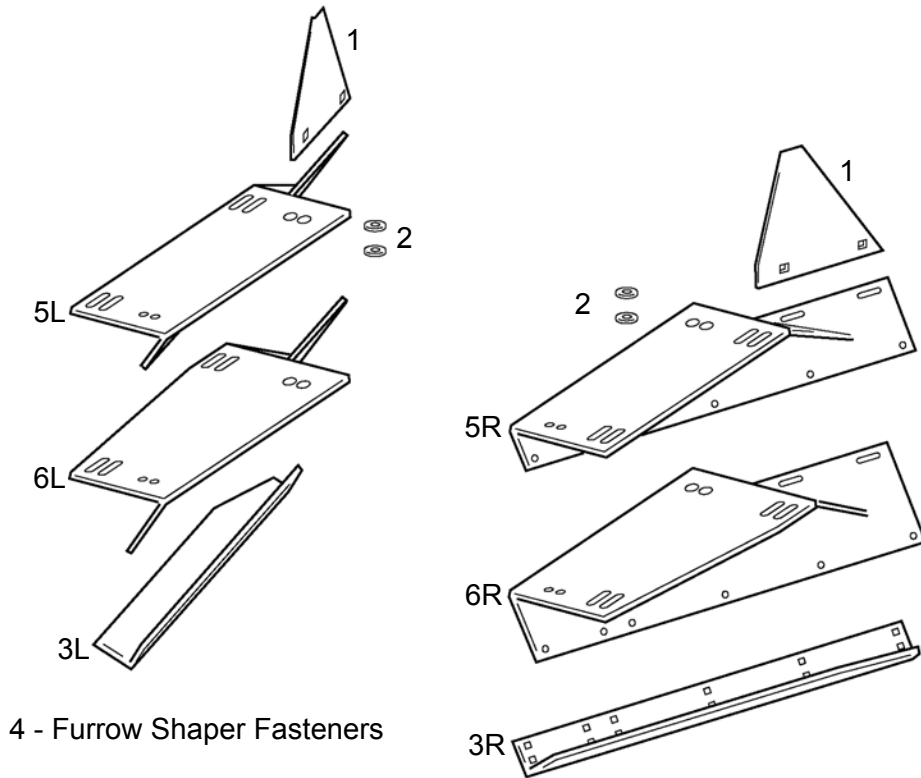
PARTS LIST



PARTS LIST

Ref	Quan	Part No	Description
	1	17407	Shaper Pan Asby - includes ref nos 1 thru 5
1	2	17504	Frame Bracket, Reversible
	2	11121	U-Bolt, 1/2-13 x 2sq x 3
	4	11051	Hex Nut, 1/2-13
2L	1	17505	Frame Bracket, Flange Left
2R	1	17513	Frame Bracket, Flange Right
	4	11121	U-Bolt, 1/2-13 x 2sq x 3
	8	11051	Hex Nut, 1/2-13
3	2	17507	Shaper Pan Leg
	4	11156	Hex Capscrew, 5/8-11 x 1-1/2
	4	11142	Hex Nut, 5/8-11
4	1	17637	Front Shield
	4	11071	Hex Capscrew, 1/2-13 x 1
	4	11051	Hex Nut, 1/2-13
5	1	17860	Shaper Pan
	4	11070	Hex Capscrew, 1/2-13 x 1-1/4
	4	11051	Hex Nut, 1/2-13
			OPTION
	1	17316	Crowned Shaper Pan Pkg - includes ref 6, replaces ref 5
6	1	17917	Crowned Shaper Pan
			OPTION
			Shaper Pan Poly Lining
7	1	16401	Shaper Pan Poly Lining

PARTS LIST

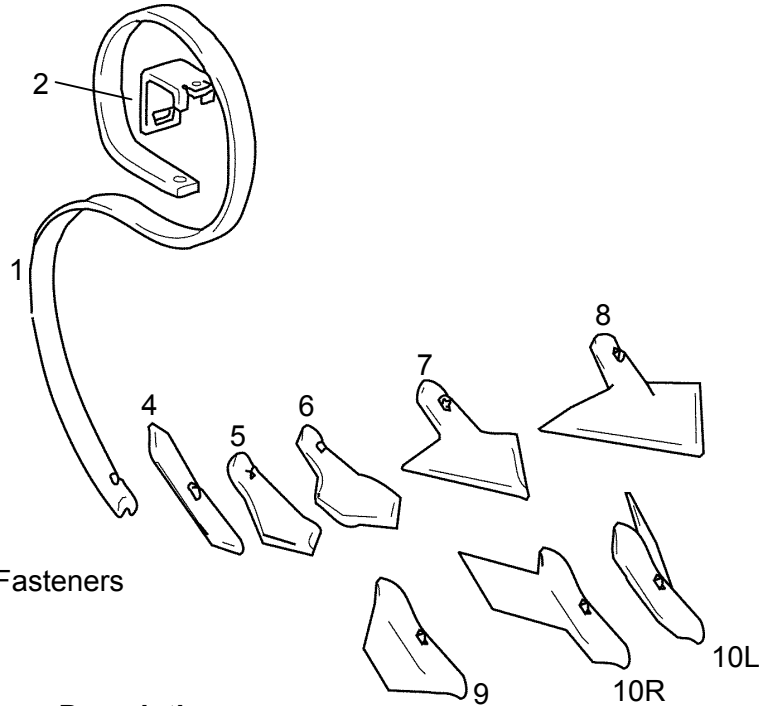


Ref	Quan	Part No	Description
	1	19321	Bed Height Completing Pkg - includes ref nos 1 thru 4
1	2	18617	Adjustable Side Shield
	4	10750	Carriage Bolt, 3/8-16 x 1
	4	11194	Flat Washer, 3/8 USS
	4	11008	Hex Nut, 3/8-16
2	4	12057	Heavy Washer, 1/2 x 1-1/2od
3L	1	18608	Furrow Shoe, Left
3R	1	18609	Furrow Shoe, Right
	12	10750	Carriage Bolt, 3/8-16 x 1
	12	11008	Hex Nut, 3/8-16
4			[Furrow Shaper Fasteners]
	2	11069	Hex Capscrew, 1/2-13 x 1-1/2
	6	11070	Hex Capscrew, 1/2-13 x 1-1/4
	4	11184	Flat Washer, 1/2 SAE
	8	11051	Hex Nut, 1/2-13

PARTS LIST

Ref	Quan	Part No	Description
	1	19303	ADD Bed Height Pkg, 3" Base for 3" or 4" adjustable bed height includes ref nos 5L, 5R
5L	1	18653	Furrow Shaper, 3" Base Left
5R	1	18663	Furrow Shaper, 3" Base Right
	1	19305	ADD Bed Height Pkg, 5" Base for 5" or 6" adjustable bed height includes ref nos 6L, 6R
6L	1	18655	Furrow Shaper, 5" Base Left
6R	1	18665	Furrow Shaper, 5" Base Right

PARTS LIST



Ref	Quan	Part No	Description
SPECIALTY ATTACHMENT			
	*	13610	High-Clearance S-Tine Asby, includes ref nos 1 thru 3
quantity needed depends on application; typically 7 or 9, quantity for each shown			
1	1	12843	S-Tine, High-Clearance
	1	11062	Hex Capscrew, 1/2-13 x 3-1/2
	1	11051	Hex Nut, 1/2-13
	1	11184	Flat Washer, 1/2 SAE
2	1	11552	S-Tine Clamp
3			[Shovel Fasteners]
	1	10798	Plow Bolt, 3/8-16 x 1-1/2
	1	11194	Flat Washer, 3/8 USS
	1	11008	Hex Nut, 3/8-16
ADD Point or Shovel			
4		11555	Reversible Point, HD
5		11556	Shovel, 2-1/4 HD
6		11557	Shovel, 4 HD
7		12804	Shovel, 7 HD
8		14872	Shovel, 9 HD
9		14094	ShaperShovel
10L		16398	ShaperShovel, Left
10R		16410	ShaperShovel, Right