



BUCKEYE TRACTOR CO

Parts List

Model 1721-D
BED SHAPER

Version A12 • Serial No. 4960100 • Effective 12-1-11

Serial No: _____ Date Received: ___ / ___ / ___

Purchased From: _____

Order / Invoice No: _____



BUCKEYE TRACTOR CO

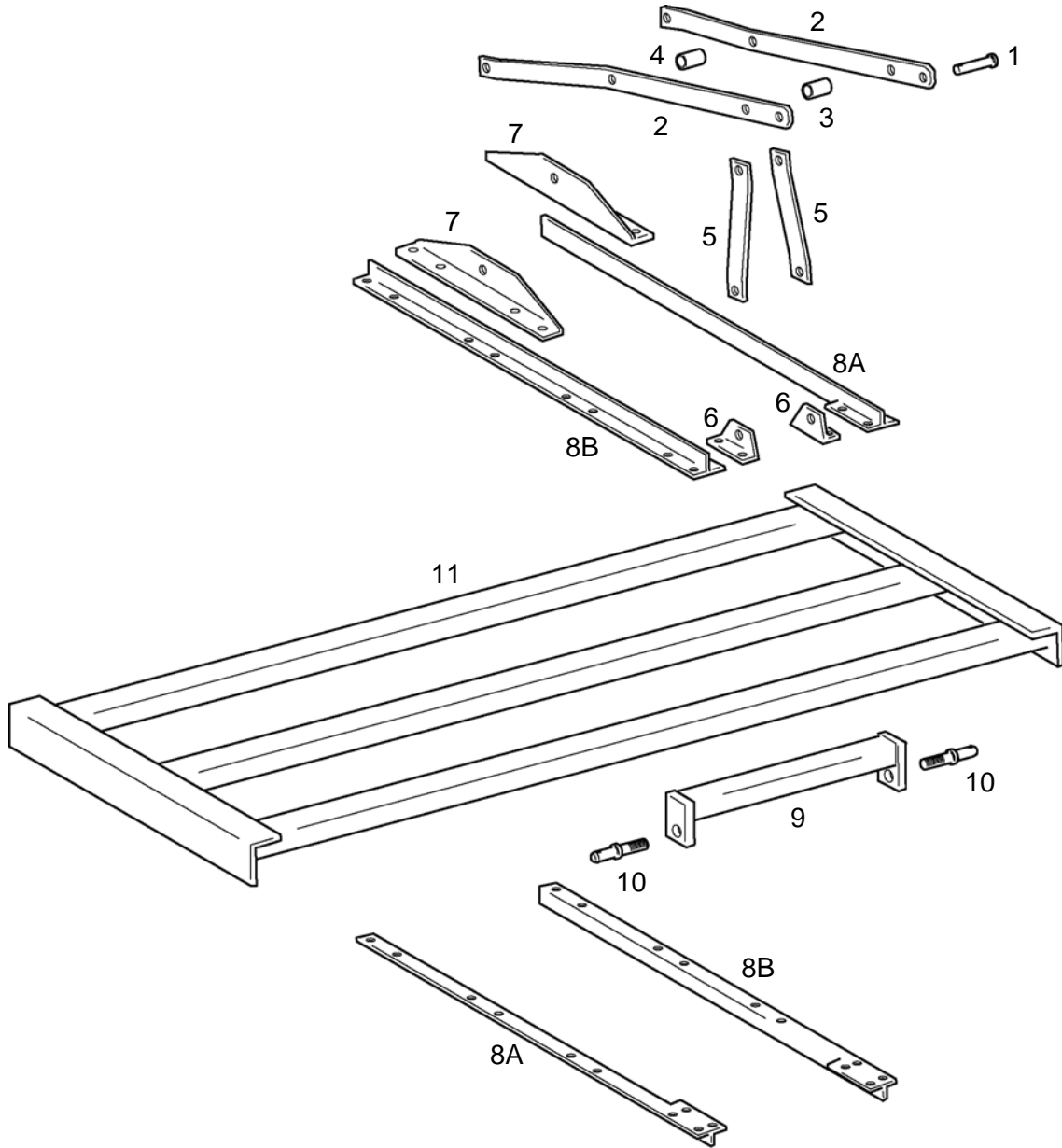
P.O.Box 97 • 11313 Slabtown Road • Columbus Grove, Ohio 45830 USA

call 419-659-2162 • fax 419-659-2082

buckeyetractor@bright.net • www.bctraco.com

YOUR PURCHASE INCLUDES COMPLETE AFTER-SALE SERVICE

PARTS LIST



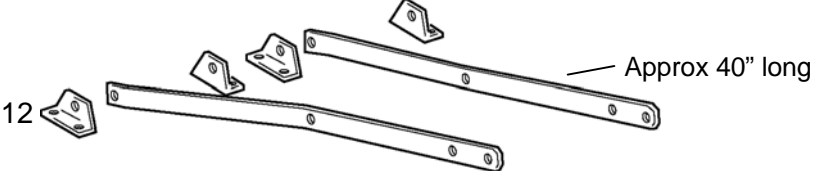
Ref	Quan	Part No	Description	Price
	1	21523	Toolbar Hitch - includes Ref 1 thru 10	_____
1	1	117512	Hitch Pin, 3/4 x 3-1/4	_____
	1	111354	Linch Pin, 1/4	_____

PARTS LIST

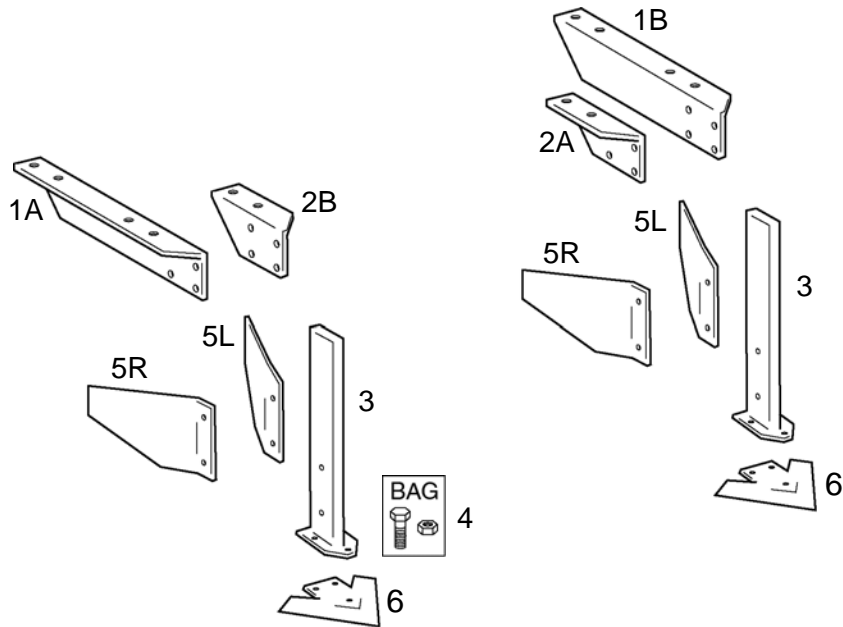
Ref	Quan	Part No	Description	Price
2	2	118812	Top Hitch Bar	_____
	2	111143	Hex Capscrew, 5/8-11 x 1-3/4	_____
	1	111027	Hex Capscrew, 5/8-11 x 4-1/2	_____
	3	111142	Hex Nut, 5/8-11	_____
3	1	112425	Bushing, 1" OD x 5/8 ID x 2	_____
4	1	112425	Bushing, 1" OD x 5/8 ID x 2	_____
	1	111029	Hex Capscrew, 5/8-11 x 3-1/2	_____
	1	111214	Hex Nut, 5/8-11 Jam	_____
5	2	118811	A-Frame Support	_____
	2	110996	Hex Capscrew, 5/8-11 x 1-1/4	_____
	2	111142	Hex Nut, 5/8-11	_____
6	6	111595	Anchor Bracket	_____
	2	111121	U-Bolt, 1/2-13 x 2sq x 3	_____
	4	111051	Hex Nut, 1/2-13	_____
7	2	118803	Rear Anchor Bracket	_____
	4	111121	U-Bolt, 1/2-13 x 2sq x 3	_____
	8	111051	Hex Nut, 1/2-13	_____
8A	2	118813	Hitch Clamp Bar, 3-bar Side A	_____
8B	2	118815	Hitch Clamp Bar, 3-bar Side B	_____
	12	110786	Hex Capscrew, 1/2-13 x 3-1/4	_____
	12	111051	Hex Nut, 1/2-13	_____
9	1	115847	Lower Hitch Crossbar	_____
	8	110786	Hex Capscrew, 1/2-13 x 3-1/4	_____
	8	111051	Hex Nut, 1/2-13	_____
10	2	111652	Anchor Pin	_____
	2	111243	Hex Nut, 7/8-14	_____
	2	111362	Linch Pin, 7/16	_____
ADD (1) Toolbar Frame to Toolbar Hitch				
11	1	20033-072	Toolbar Frame, 2sq x 3-bar x 72 x 3/16w - standard on 1721-D	_____

EARLY PARTS - retrofit unreferenced parts with current parts

12	4	111595	Hitch Anchor Bracket	_____
----	---	--------	----------------------	-------

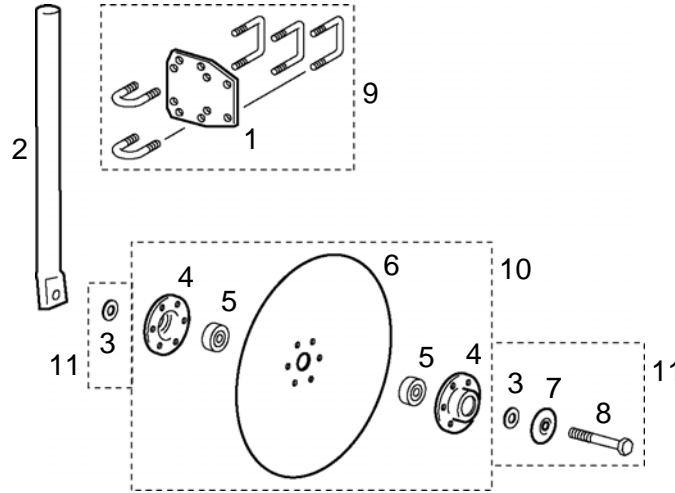


PARTS LIST

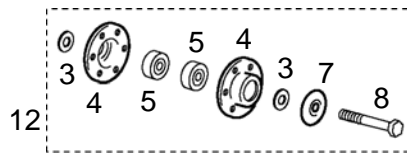


Ref	Quan	Part No	Description	Price
	1	20264	Furrow Shank Asby, 1 x 2-1/2, L&R for 2-bar x 2sq - includes Ref 1 thru 4	_____
1A	1	118787	Shank Half Bracket, 2-bar Side A	_____
1B	1	118788	Shank Half Bracket, 2-Bar Side B	_____
	4	111121	U-bolt, 1/2-13 x 2sq x 3	_____
	8	111051	Hex Nut, 1/2-13	_____
2A	1	118598	Shank Half Bracket, Side A	_____
2B	1	118599	Shank Half Bracket, Side B	_____
	2	111121	U-bolt, 1/2-13 x 2sq x 3	_____
	4	111051	Hex Nut, 1/2-13	_____
3	2	118470	Furrow Shank, 1 x 2-1/2	_____
4	2	99021FA	Bag of Fasteners - to install Flat-Mount Shovel	_____
	6	111116	Hex Capscrew, 5/16-18 x 1 - included	_____
	6	111010	Hex Nut, 5/16-18 - included	_____
5L	2	116460	Furrow Wing, Left	_____
5R	2	116461	Furrow Wing, Right	_____
	4	111099	Hex Capscrew, 3/8-16 x 1-3/4	_____
	4	111008	Hex Nut, 3/8-16	_____
			ADD to complete Furrow Shank Asby	
6	2	116520	Flat-Mount Shovel, 9"	_____
			Parts Assembly w/ related fasteners	
	1	99002FA	Bag of Shear Bolts - includes (6) of 516-518 & (6) 511-051	_____

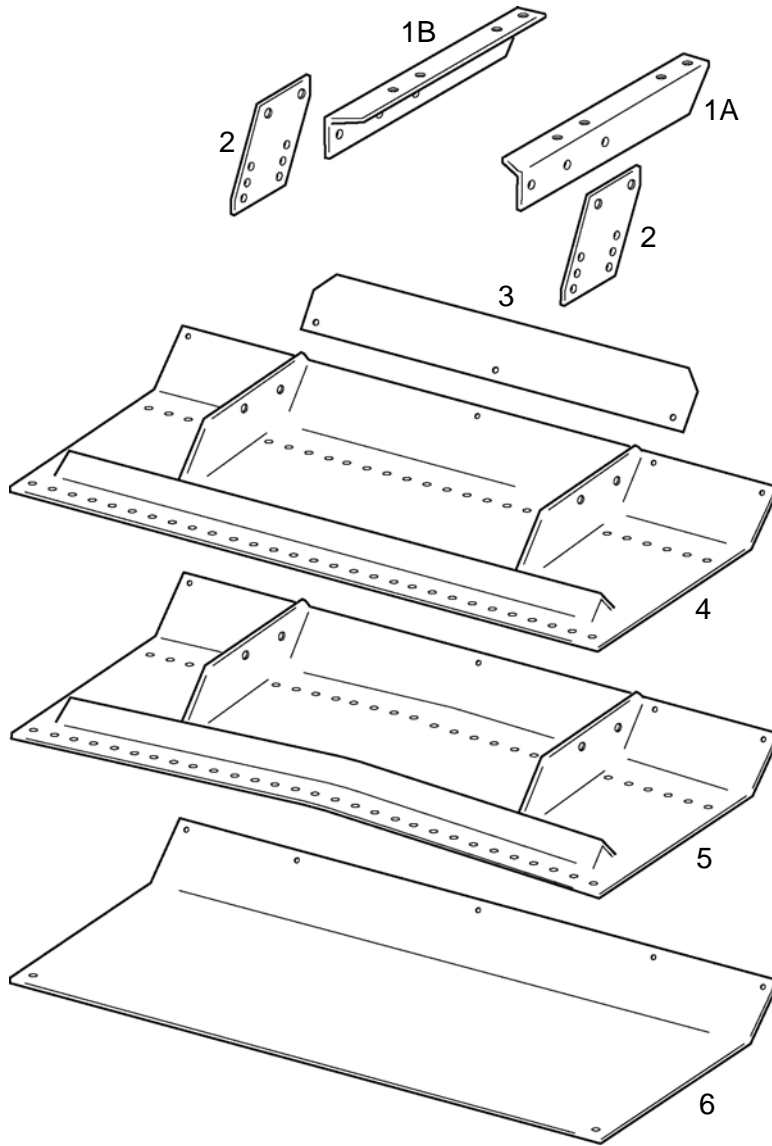
PARTS LIST



Ref	Quan	Part No	Description	Price
	2	20114	Disk, 14", Shank & Clamp Asby for 2sq - incl Ref 1 thru 8	_____
1	2	118423	D5-Plate, 2 x 1-1/4	_____
	6	111121	U-Bolt, 1/2-13 x 2sq x 3	_____
	4	110714	U-Bolt, 1/2-13 x 1-1/4rd x 2-1/2	_____
	20	111051	Hex Nut, 1/2-13	_____
2	2	116764	Shank	_____
3	4	111179	[Spacer] Flat Washer, 5/8 SAE	_____
4	4	118845	Hub Flange	_____
	12	116770	Hex Capscrew, 1/4-20 x 7/8 Grade 8	_____
	12	111241	Hex Nut, 1/4-20 Nylock	_____
5	4	116768	Ball Bearing, 204RY2, John Deere AA21480	_____
6	2	116769	Disk Blade, 14"	_____
7	2	118847	Dust Cover	_____
8	2	110744	[Bearing Bolt] Hex Capscrew, 5/8-11 x 3-1/4	_____
	2	111142	Hex Nut, 5/8-11	_____
			Parts assemblies w/ related fasteners	
9	2	20125R	D5-Clamp Asby, 2sq x 1-1/4rd	_____
10	2	118894	Disk & Hub Asby	_____
11	2	19114FA	Parts for Final Assembly	_____
12	1	119214	Complete Hub Asby	_____



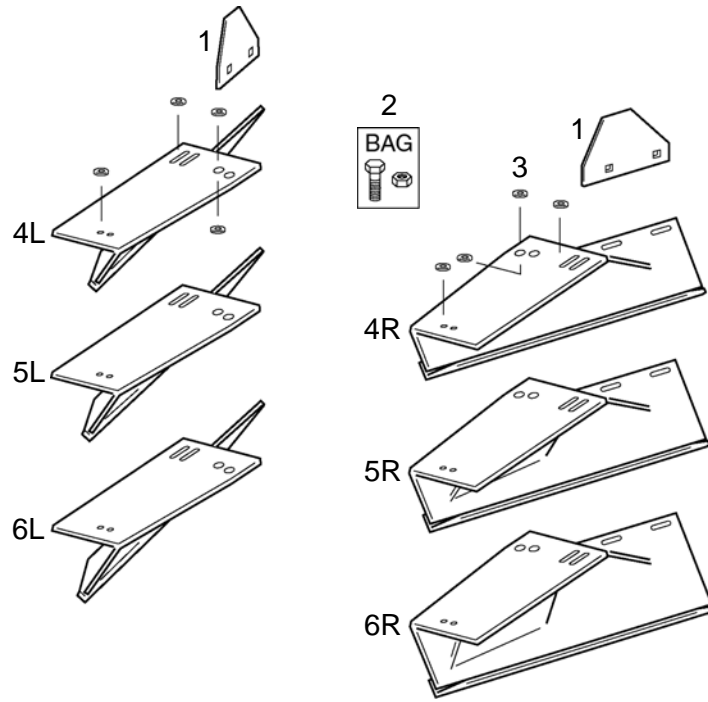
PARTS LIST



PARTS LIST

Ref	Quan	Part No	Description	Price
	1	20415	Shaper Pan Asby - includes ref nos 1 thru 4	_____
1A	1	116483	Mounting Bracket, Side A	_____
1B	1	116484	Mounting Bracket, Side B	_____
	4	111121	U-Bolt, 1/2-13 x 2sq x 3	_____
	8	111051	Hex Nut, 1/2-13	_____
2	2	117274	Shaper Pan Leg	_____
	4	110996	Hex Capscrew, 5/8-11 x 1-1/4	_____
	4	111142	Hex Nut, 5/8-11	_____
3	1	117278	Front Shield	_____
	3	111101	Hex Capscrew, 3/8-16 x 1	_____
	3	111194	Flat Washer, 3/8 USS	_____
	3	111008	Hex Nut, 3/8-16	_____
4	1	121160	Shaper Pan, 60"	_____
	4	111071	Hex Capscrew, 1/2-13 x 1	_____
	4	111051	Hex Nut, 1/2-13	_____
			OPTION	
	1	17281A	Crowned Shaper Pan Pkg - includes Ref 5, replaces Ref 4	_____
5	1	125360	Crowned Shaper Pan, 60"	_____
			OPTION	
			Shaper Pan Poly Liner	
6	1	121460	Shaper Pan Poly Liner, 60"	_____
6	1	123560	Crowned Pan Poly Liner, 60"	_____

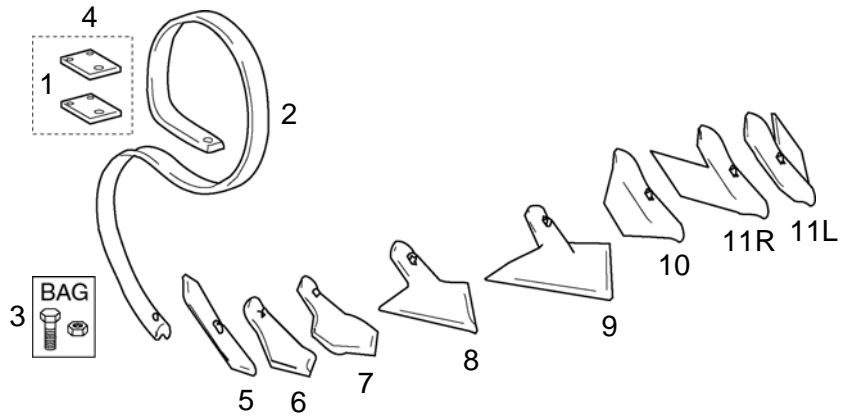
PARTS LIST



PARTS LIST

Ref	Quan	Part No	Description	Price
	1	19221	Bed Height Completing Pkg - includes Ref 1 thru 3	_____
1	2	118617	Adjustable Side Shield	_____
	4	110750	Carriage Bolt, 3/8-16 x 1	_____
	4	111194	Flat Washer, 3/8 USS	_____
	4	111008	Hex Nut, 3/8-16	_____
2	1	99025FA	Bag of Fasteners - to install Bed Height Pkg	_____
	6	111197	Hex Capscrew, 3/8-16 x 1-1/4 - included	_____
	2	111194	Flat Washer, 3/8 USS - included	_____
	6	111108	Hex Nut, 3/8-16 - included	_____
3	8	111343	Heavy Washer, 3/8 x 1-1/2 OD - included	_____
ADD (1) Bed Height Package to complete Shaper Pan Asby				
	1	19104	Bed Height Pkg for 4" bed height - includes Ref 4L, 4R	_____
4L	1	118554	Furrow Shaper, 4" Left	_____
4R	1	118564	Furrow Shaper, 4" Right	_____
	1	19105	Bed Height Pkg for 5" bed height - includes Ref 5L, 5R	_____
5L	1	118555	Furrow Shaper, 5" Left	_____
5R	1	118565	Furrow Shaper, 5" Right	_____
	1	19106	Bed Height Pkg for 6" bed height - includes Ref 6L, 7R	_____
6L	1	118556	Furrow Shaper, 6" Left	_____
6R	1	118566	Furrow Shaper, 6" Right	_____

PARTS LIST



Ref	Quan	Part No	Description	Price
			OPTION	
	5-7	20115	S-Tine, HD 7/16 x 1-1/4, & Clamp for 2sq on 1721-D quantity depends on application - parts for each listed below	
	1	20115	S-Tine, HD 7/16 x 1-1/4, & Clamp for 2sq - includes Ref 1 thru 3	_____
1	2	117605	Tine Clamp Plate	_____
	1	110751	Hex Capscrew, 1/2-13 x 3-3/4	_____
	1	111051	Hex Nut, 1/2-13	_____
	2	110719	Hex Capscrew, 3/8-16 x 3-3/4	_____
	2	111239	Hex Nut, 3/8-16 NyLock	_____
2	1	111550	S-Tine, HD 7/16 x 1-1/4	_____
3	1	99013FA	Bag of Fasteners - to install Shovel	_____
	1	110798	Plow Bolt, 3/8-16 x 1-1/2 - included	_____
	1	111194	Flat Washer, 3/8 USS - included	_____
	1	111008	Hex Nut, 3/8-16 - included	_____
			Parts assembly w/ related fasteners	
4	1	20120	Tine Clamp Asby for 2sq	_____
			ADD (as needed) Shovel(s) to complete each S-Tine Asby	
5	1	111555	Reversible Point, HD	_____
6	1	111556	Shovel, 2-1/4 HD	_____
7	1	111557	Shovel, 4 HD	_____
8	1	111558	Shovel, 7 HD	_____
9	1	111559	Shovel, 9 HD	_____
10	1	114094	ShaperShovel	_____
11L	1	116398	ShaperShovel, Left	_____
11R	1	116399	ShaperShovel, Right	_____